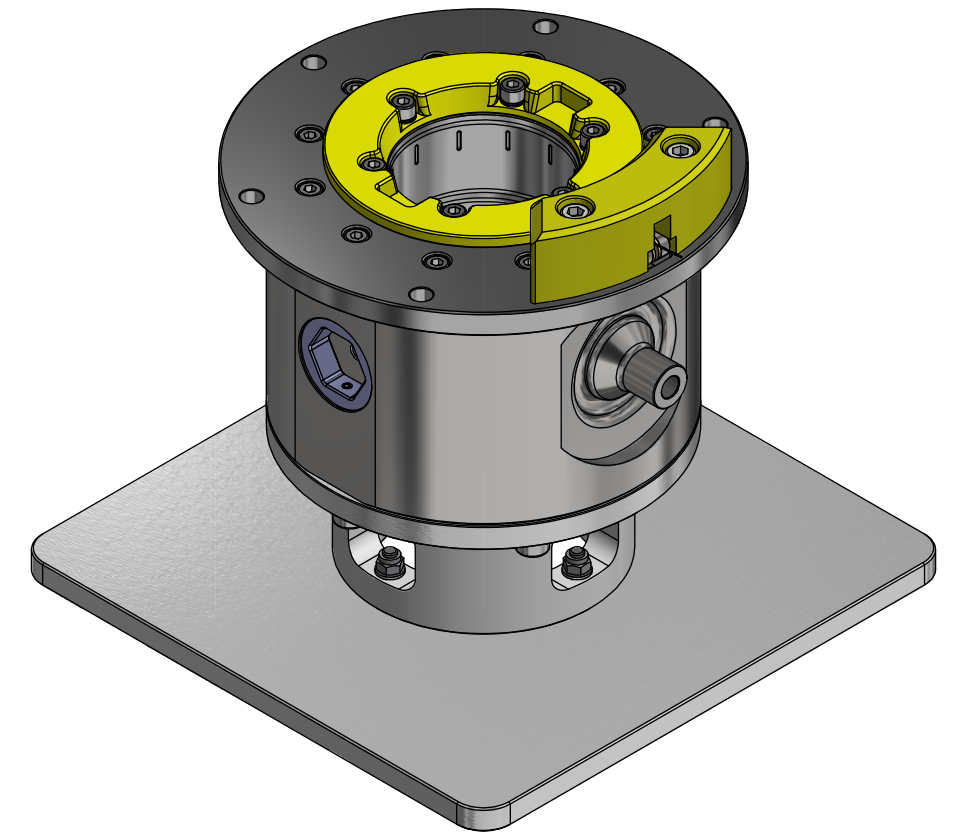
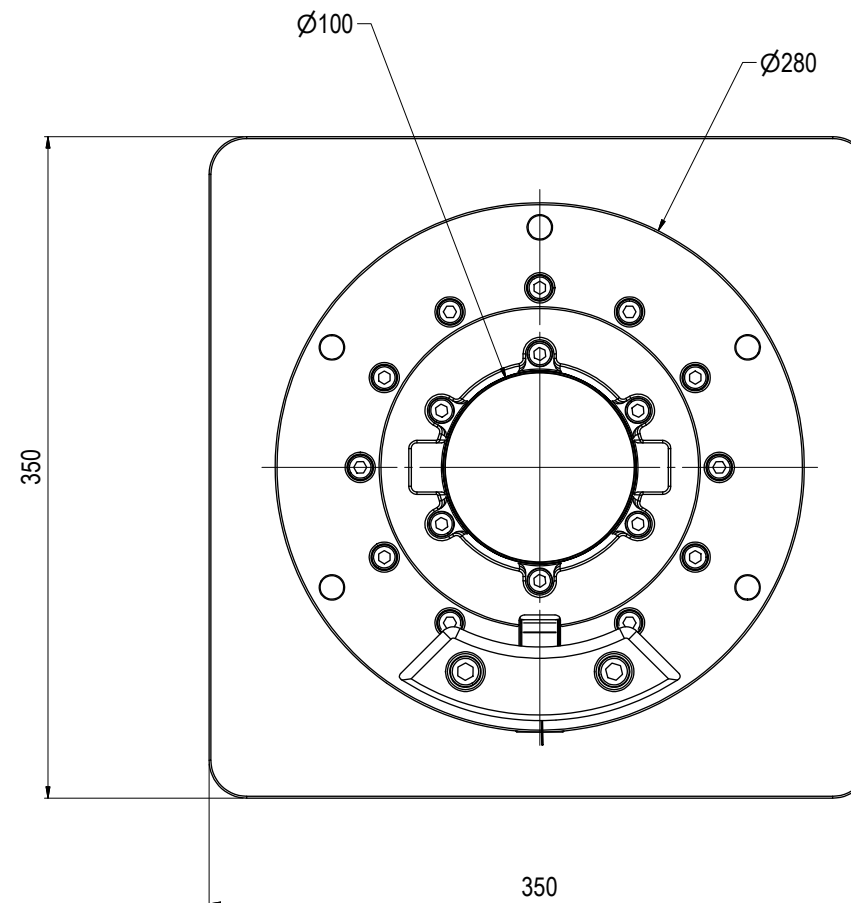
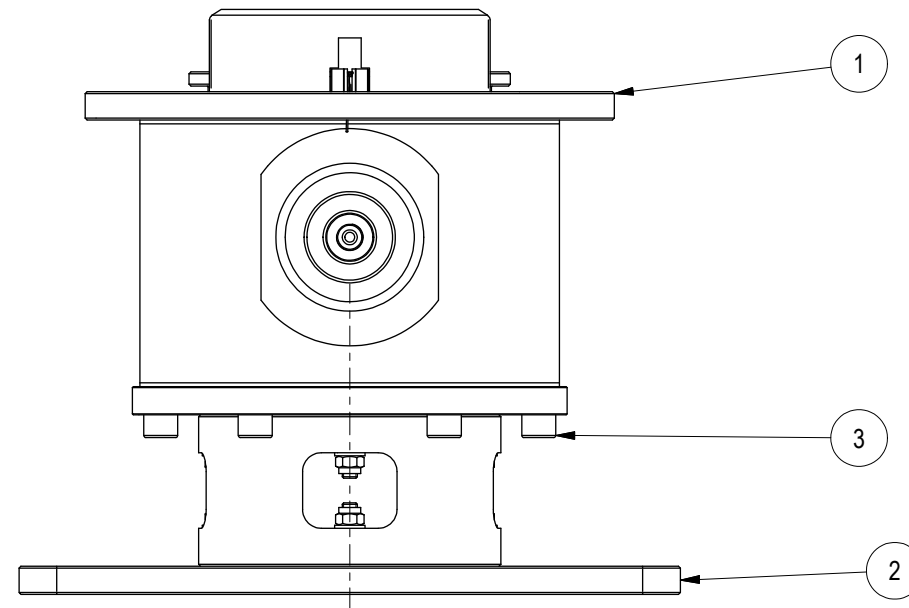
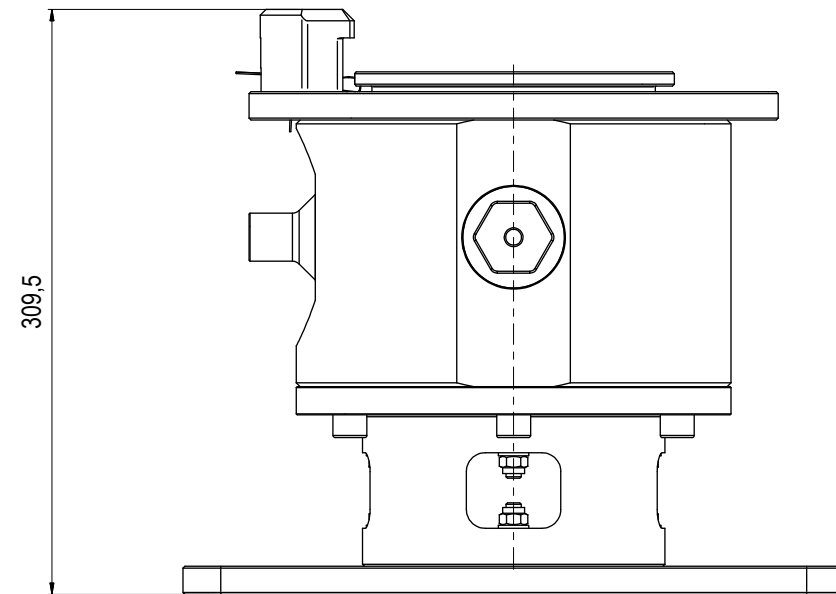


Parts List			
ITEM	QTY	PART No.	DESCRIPTION
1	1	BB7865	Ø100 SP VStab Rec 5k Long-term 1" WN OD 25,4mm w/Test port
2	1	BB8013	Fundament for Test Rec V2
3	6	100884	M12x35 Socket Head Bolt DIN 912 A4-80

NOTE: 1
STANDARDS:
N/A

NOTE: 2
INTERFACE INFORMATION:
Hydraulic: MP 3/8"
Mechanical: N/A
Electrical: N/A
Data Com.: N/A

NOTE: 4
PROPERTIES:
Material Class: N/A
Temperature Class: N/A
Rated Work Press Bar: 345
Test Pressure: N/A
Specification Level: N/A
Flow Rate: N/A
Qualification: N/A
Application: N/A
Load Rating: N/A
Torque Rating: N/A
Design Water Depth: N/A
Weight in Air: 48,3 kg
Volume: 8,05 dm³
Submerged Weight: 40,09 kg



05	8.12.2025	9-IFU (Issued for Use)		HNJ	TAN	HNJ
04	3.3.2023	7-IFC (Issued for Construction)		HNJ	TAN	HNJ
03	4.11.2022	7-IFC (Issued for Construction)		HNJ	TAN	HNJ
02	9.6.2022	7-IFC (Issued for Construction)		WTJ	LGH	WTJ
Rev.	Date	Reason for issue	Revision change	Made	Chk'd	Appr.



Dwg Scale:
NTS
Dwg Proj:
Dwg Format:
A3

Drawing title:
Ø100 SP VStab Rec 5k 1" for Testing

Drawing number:
BB7501

Rev.
05